

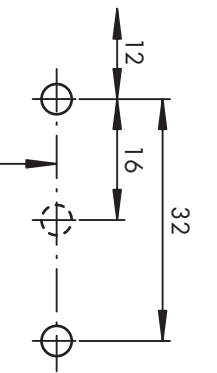


Vorderkante Seitenwand

290

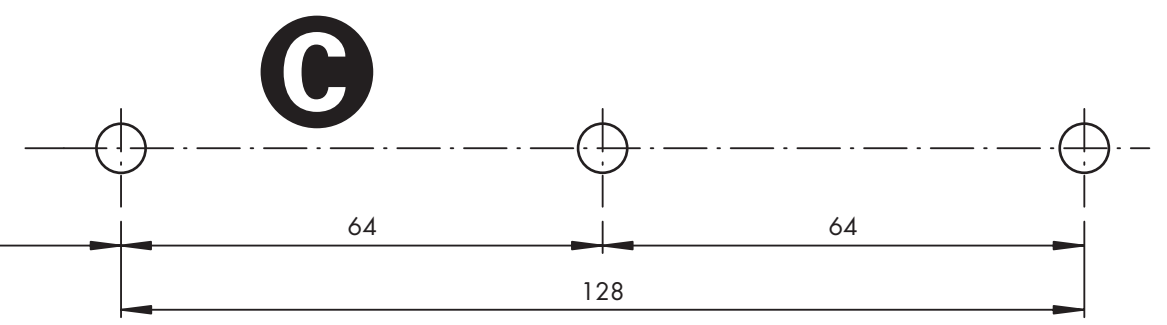
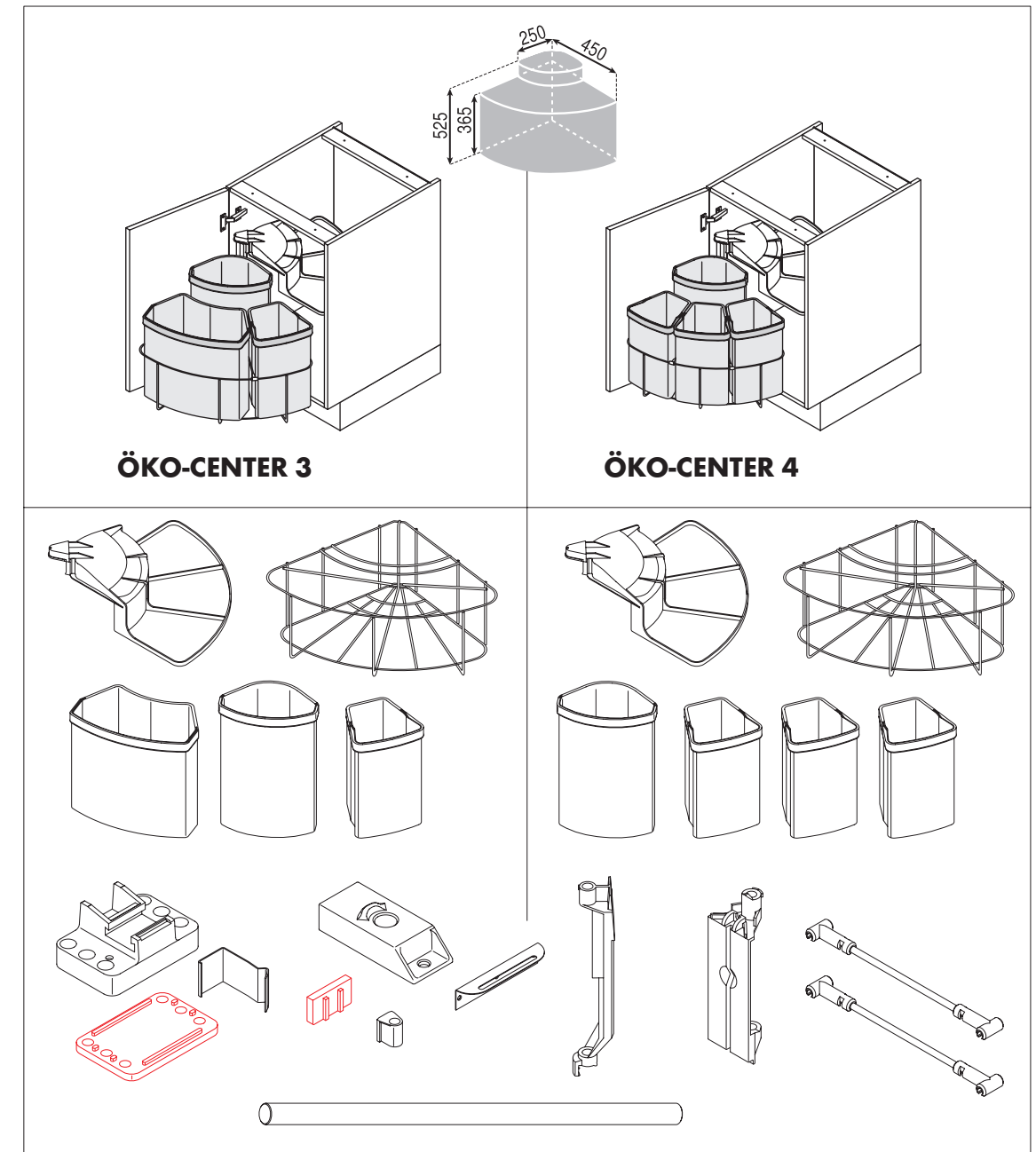
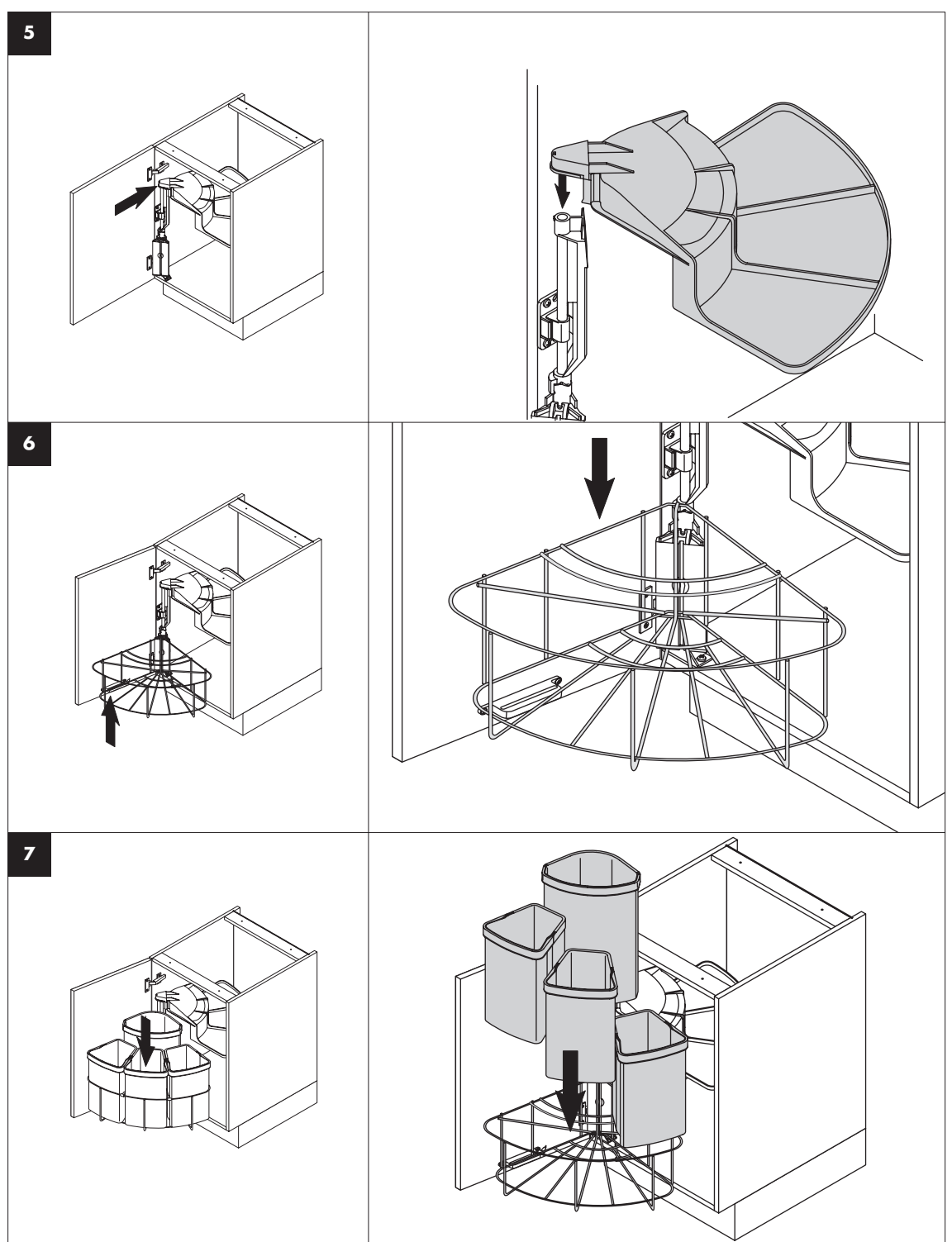
64

B

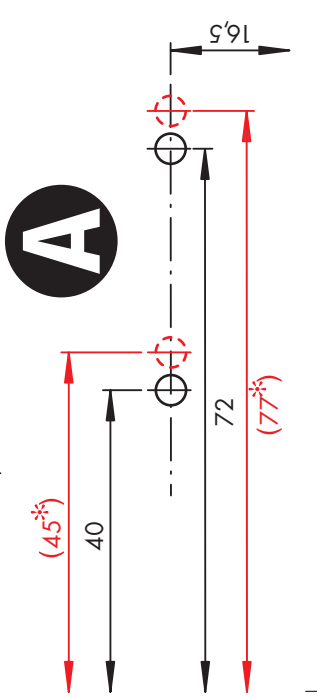


WÜRTH

MONTAGEANLEITUNG ÖKO-CENTER 3 + 4



A



Maßangaben unverbindlich. Technische Änderungen vorbehalten.
Adolf Würth GmbH & Co. KG · Reinhold-Würth-Straße 12-17 · 74653 Künzelsau, Germany · T +49 7940 15-0 · F +49 7940 15-1000 · www.wuerth.com

**Vorderkante
Seitenwand**

246

C

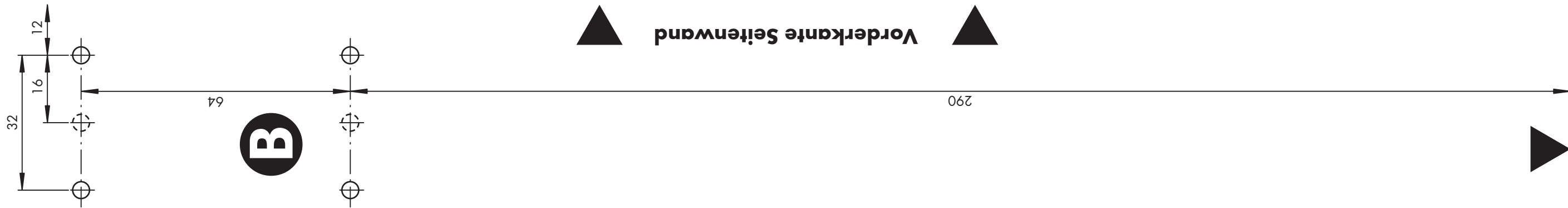
Schrankboden unten

Türanschlag unten

Vorderkante Schrankboden



Vorderkante Seitenwand



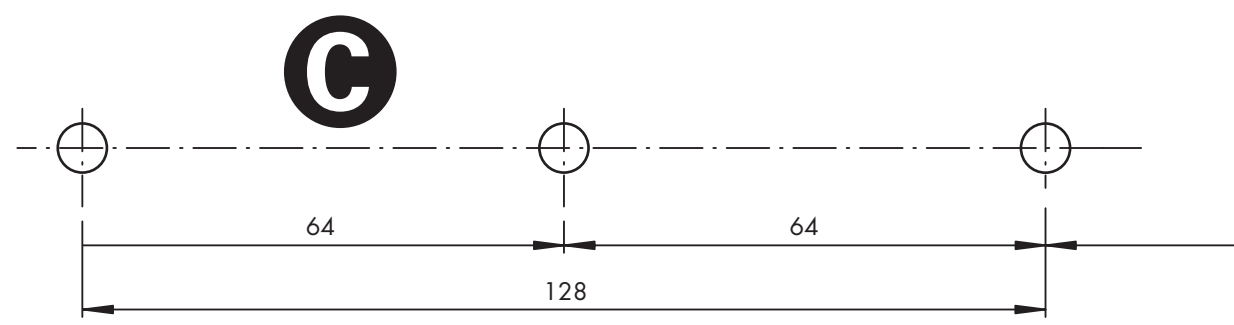
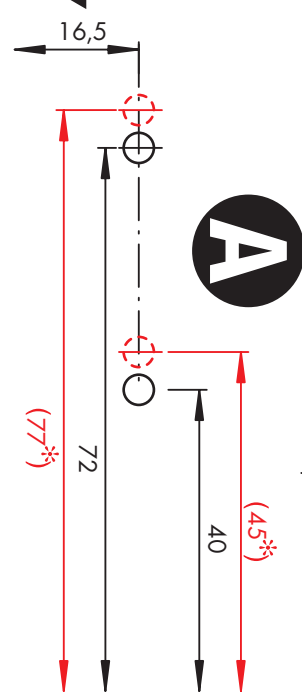
A	B	C
1	A	A
2	B	B

1 **A**: Diagram showing the front panel being attached to the cabinet frame. A note indicates: $X \geq 25 \text{ mm} \rightarrow$ (checkmark) and $X < 25 \text{ mm} \rightarrow$ (crossed out).

2 **B**: Diagram showing the attachment of a bracket to the cabinet frame. A note indicates: $X \geq 25 \text{ mm} \rightarrow$ (checkmark) and $X < 25 \text{ mm} \rightarrow$ (crossed out). Dimensions: 12 mm, 32 mm, 64 mm, 28 mm, 290 mm. Screws: 4 x 16 mm (4 x 20 mm)*.

A: Diagram showing the attachment of a bracket to the cabinet frame. Dimensions: 40 mm (45°), 72 mm (77°). Screws: 4 x 16 mm.

Vorderkante Schrankboden



Vorderkante Seitenwand

3		
4		C

3: Diagram showing the attachment of a bracket to the cabinet frame.

4: Diagram showing the attachment of a bracket to the cabinet frame. Dimensions: 15 mm, 64 mm, 64 mm, 128 mm, 246 mm, 12 mm.

C: Diagram showing the attachment of a bracket to the cabinet frame. Dimensions: 15 mm, 64 mm, 64 mm, 128 mm, 246 mm, 12 mm.

Schrankboden unten

Türanschlag unten